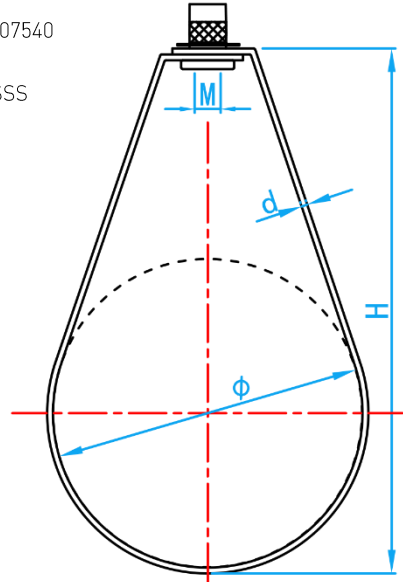
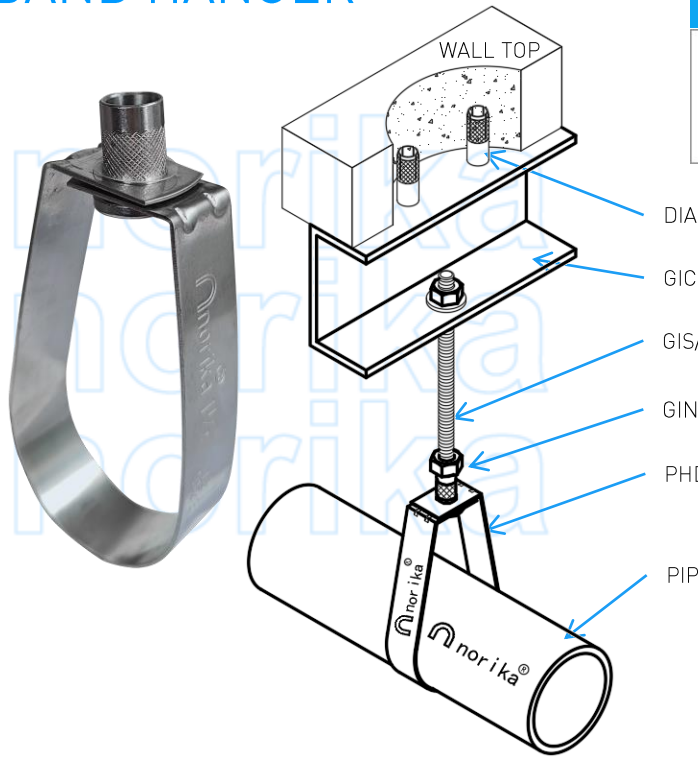
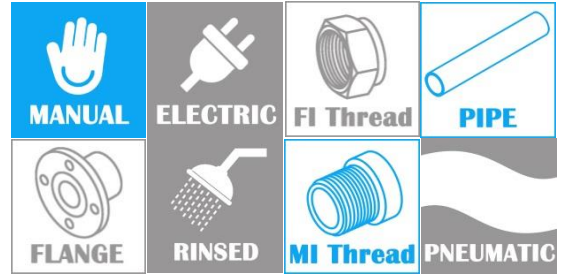


# STAINLESS STEEL 304 BAND HANGER



SIDE VIEW

### STANDARD SPECIFICATIONS

Material	AISI304
Connection	3/8" & 1/2"

### DIMENSIONS

SKU	SIZE (mm)	NOMINAL DIAMETER Ø (mm)	M (inch)	d (mm)	H (mm)	WEIGHT (kg)	PCS/CTN
PHD025SS304	25	44.5	3/8"	0.9	80	0.030	200
PHD035SS304	35	48.2	3/8"	0.9	86	0.040	100
PHD042SS304	42	49.0	3/8"	0.9	94	0.045	100
PHD050SS304	50	60.0	3/8"	0.9	110	0.050	100
PHD065SS304	65	78.0	3/8"	1.5	120	0.105	100
PHD080SS304	80	89.6	3/8"	1.5	152	0.124	100
PHD100SS304	100	114.0	3/8"	2.0	176	0.193	100
PHD125SS304	125	139.5	1/2"	2.0	201	0.345	60
PHD150SS304	150	178.5	1/2"	2.5	239	0.395	60
PHD200SS304	200	209.0	1/2"	3.0	326	0.605	30
PHD250SS304	250	269.1	1/2"	3.0	413	0.750	30
PHD300SS304	300	328.0	1/2"	3.0	510	-	-